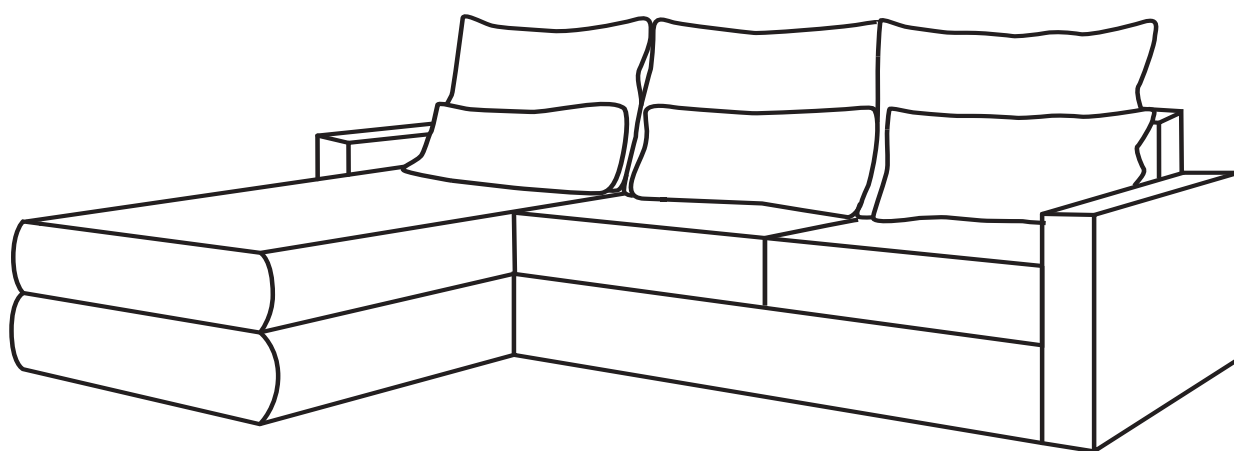
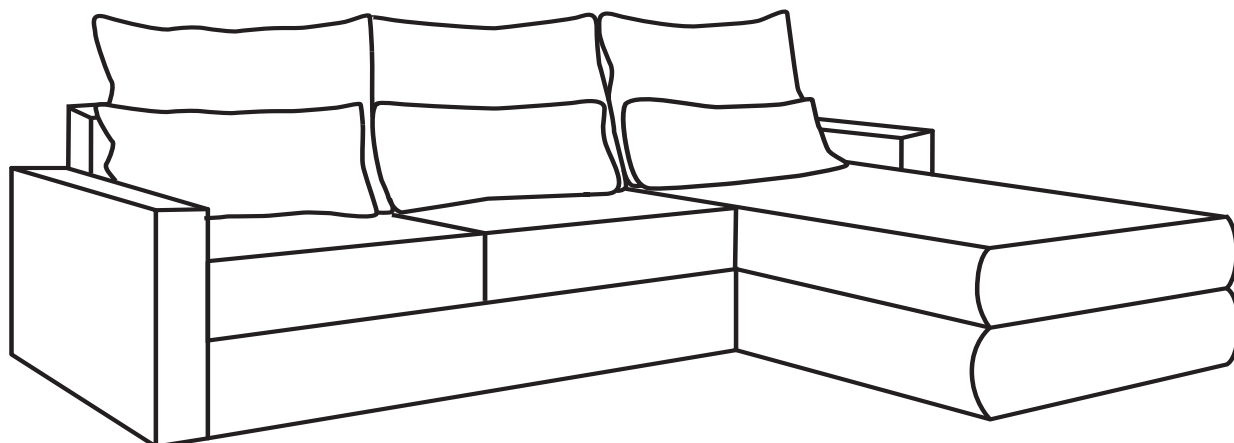
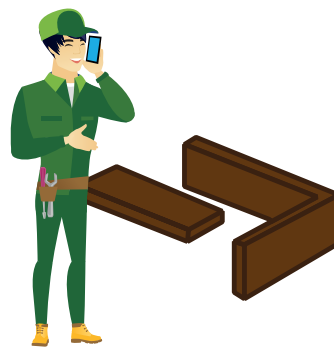
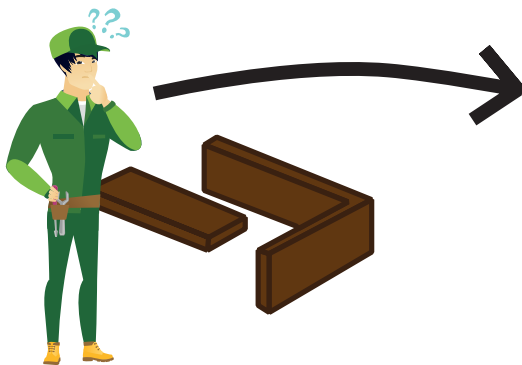
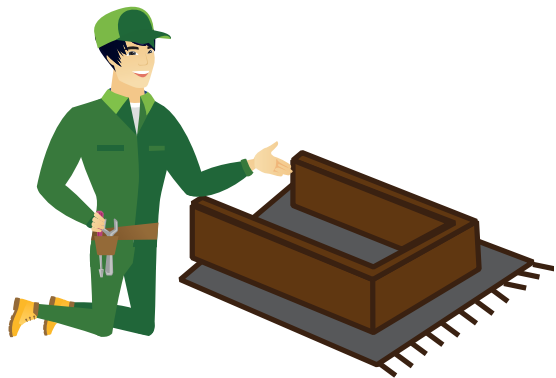
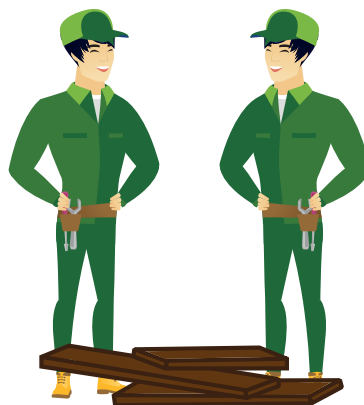
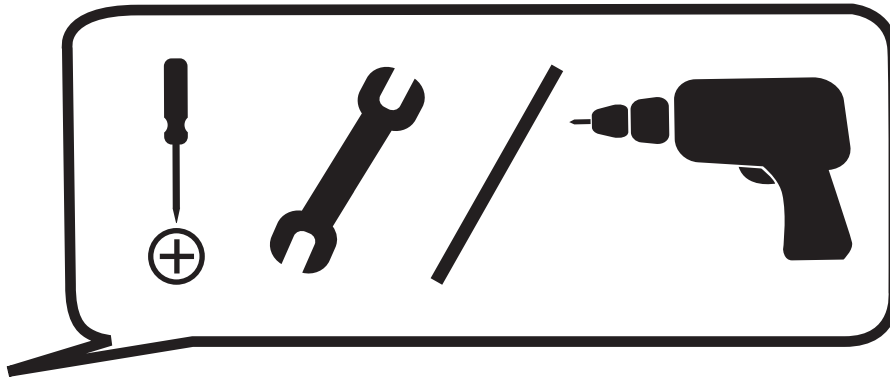
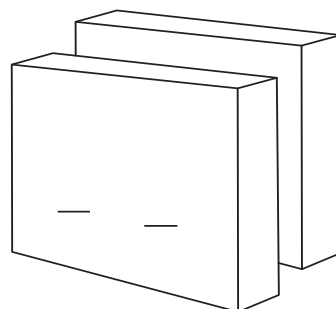
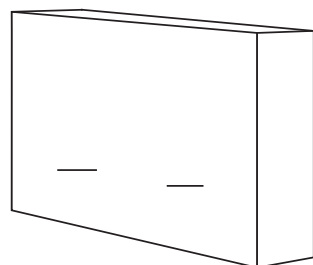
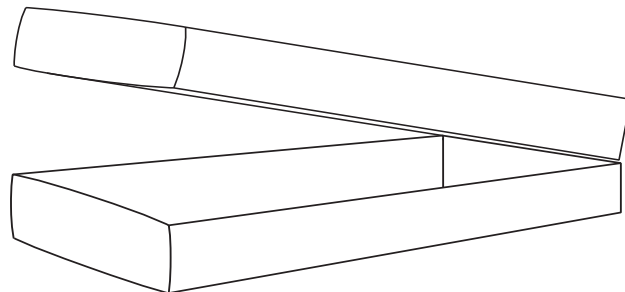
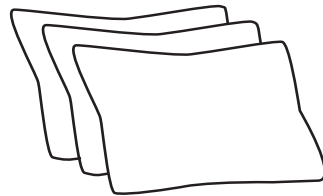
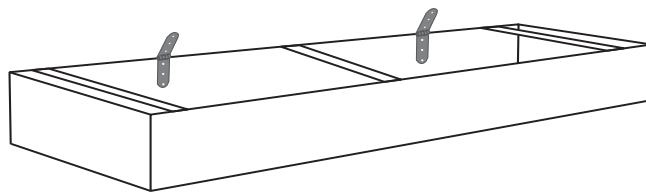
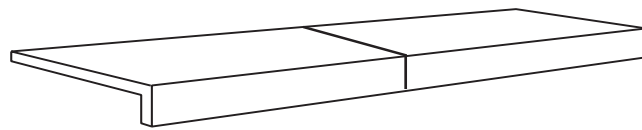
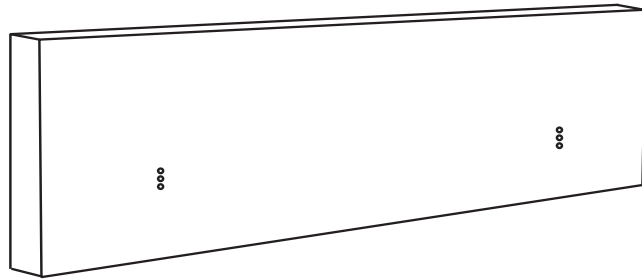


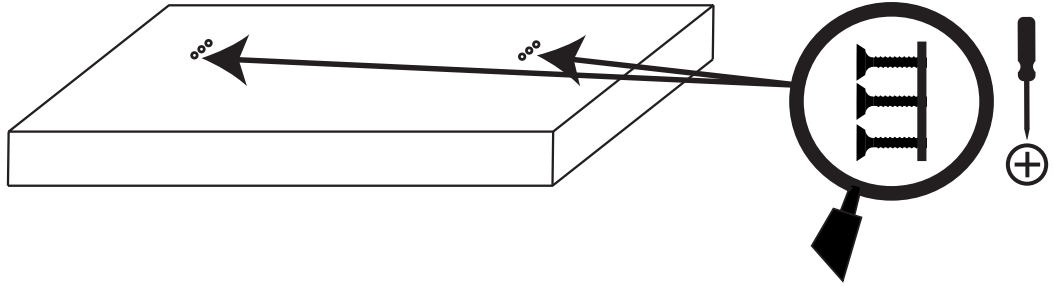
# NAROŽNIK SUNSET



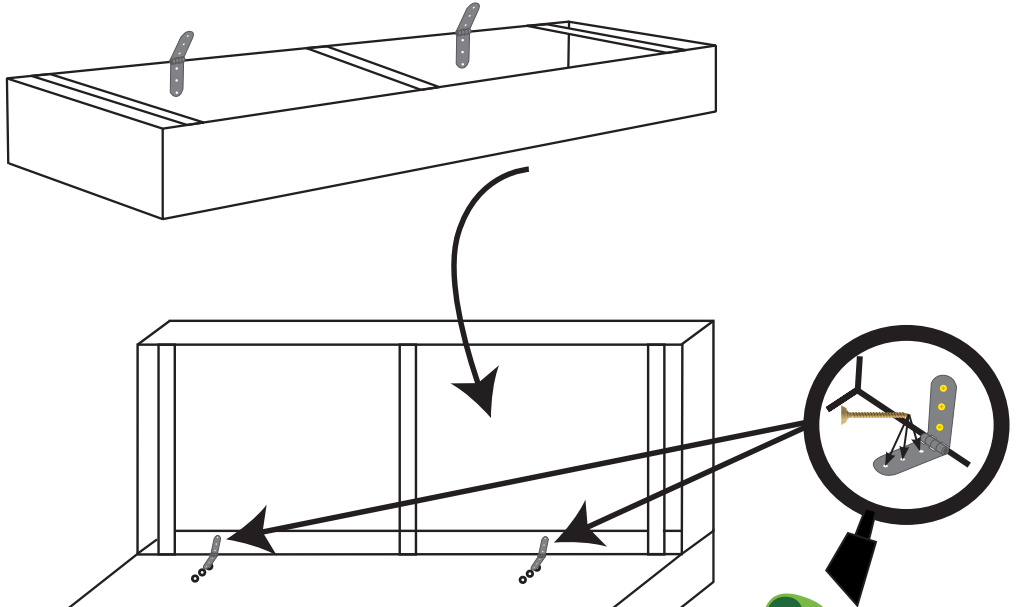




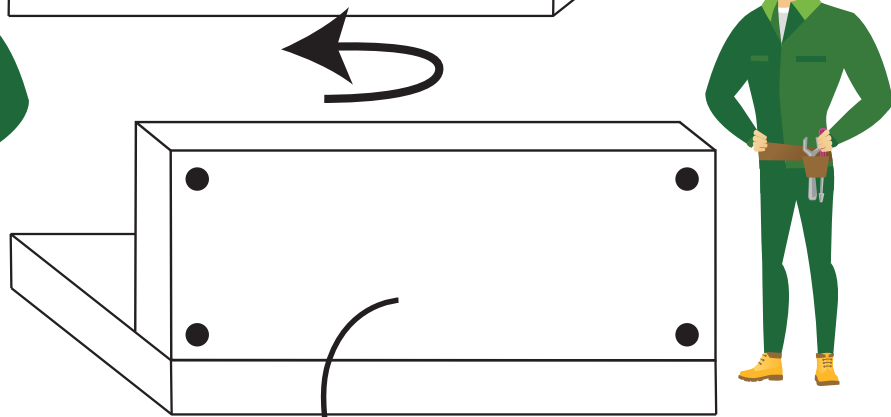
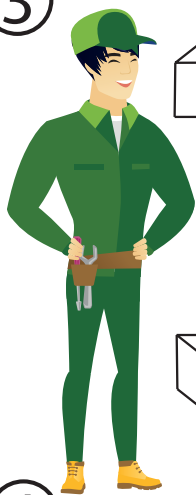
①



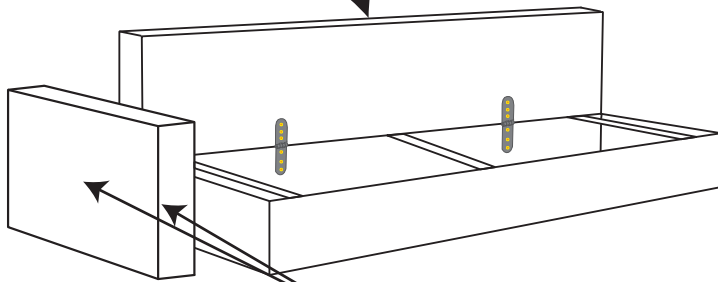
②



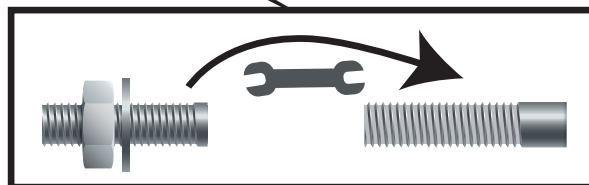
③

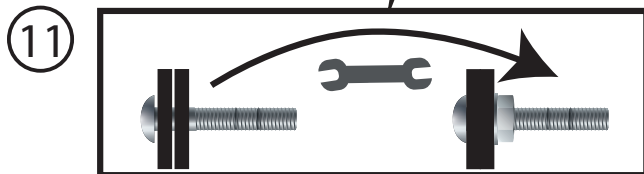
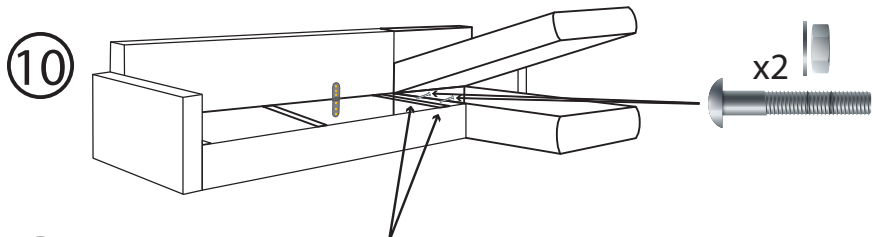
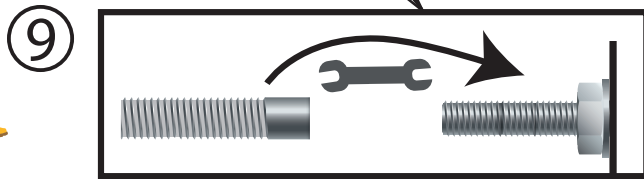
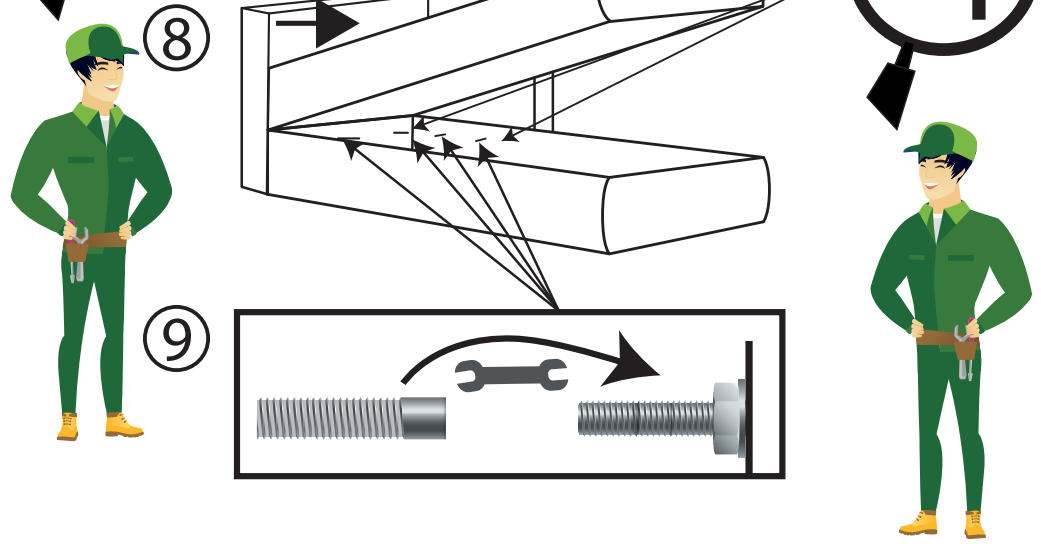
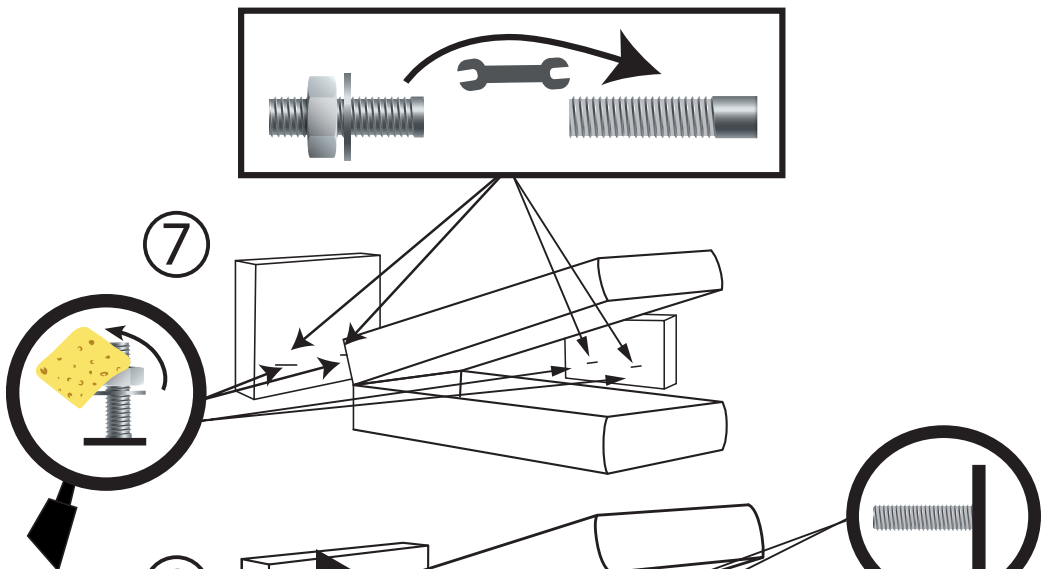
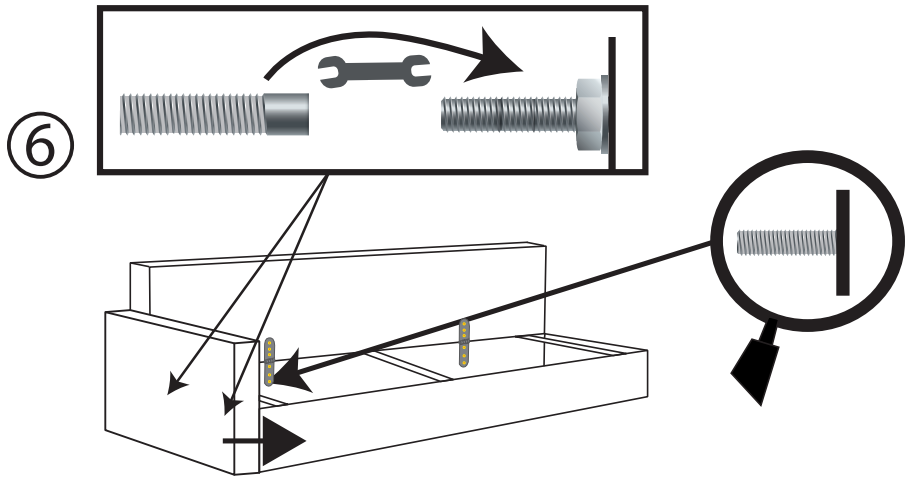


④



⑤

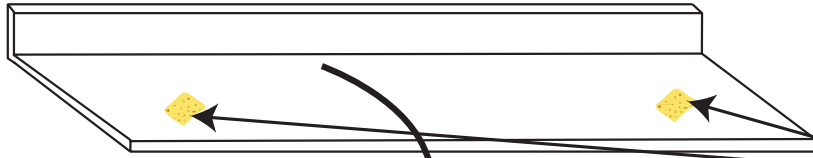




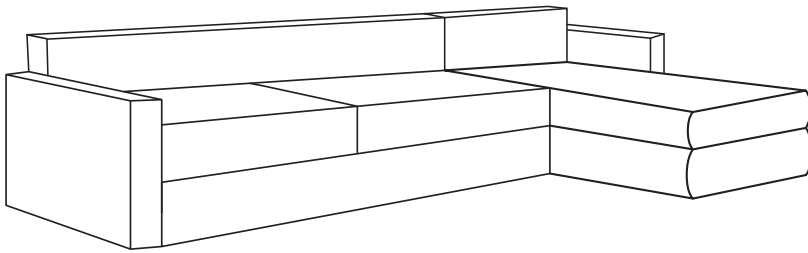
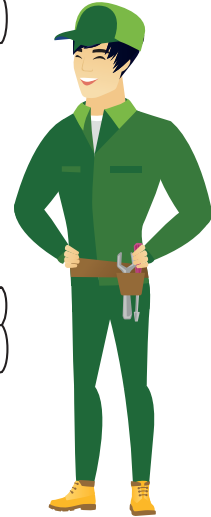
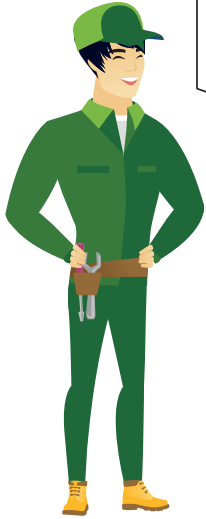
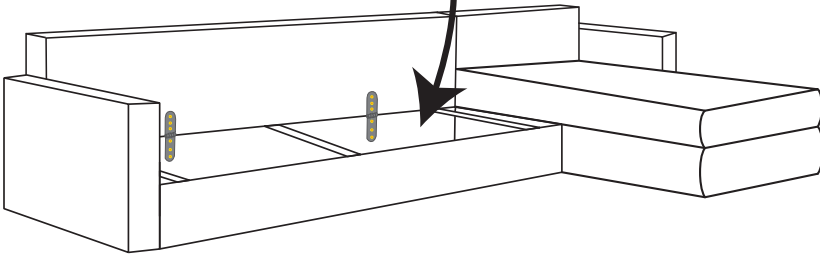
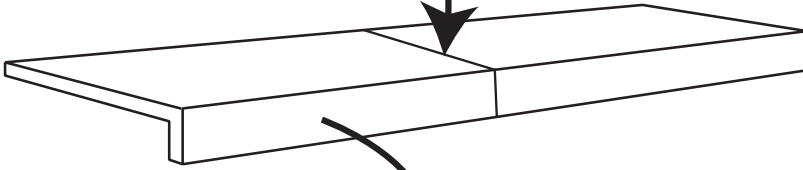
x2

An illustration of a bolt and a nut, with the text 'x2' indicating that two of each are required.

12



13



14

